



n55Plus

System 40 Sidewinder Roller Blind

By Louvolite / Solo Blinds

Detailed description

Louvolite Sidewinder Roller Blind is a fabric roller blind with a 40mm barrel size. The blind comes complete with aluminium barrel, and universal metal brackets for face, top or side fixing.

Product guidance - As Standard

Operation:

Metal
chain.

Options

Variations:

- Plastic Chain
- Crank Operation
- Guide Wires
- Motorised (240v system, 12v System & Battery Operation available (contact for size limitations on low voltage systems))
- Aluminium Teardrop Bottom Bar
- Aluminium Powder Coated Fascia
- Aluminium Powder Cassette
- Powder Coated Side Channels

Blind size:

Maximum blind dimensions are based on fabric weight of 170 g/m².

- Minimum width: 200 mm.
- Maximum width: 3400 mm.
- Maximum drop: 6000 mm.
- Maximum area: 7.0 m².

Material:

Flame retardant fabric from standard range; consult manufacturer for details.

Product specification

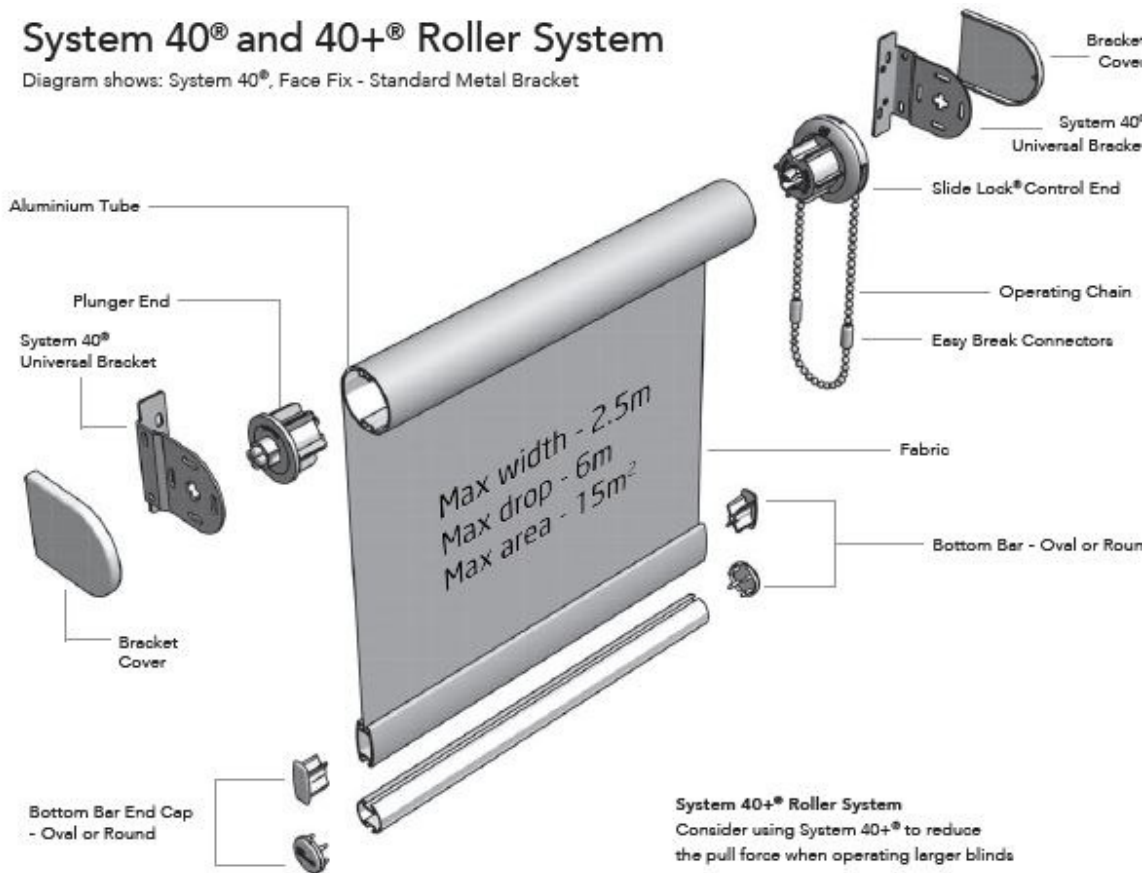
Supplier Details:-

Solo Blinds
Unit 3 Trafalgar Court
South Nelson Ind. Est.
Cramlington
Northumberland
NE23 1WF
01670 733 788
www.soloblinds.co.uk
andy.ward@soloblinds.co.uk

Product reference	System 40 Sidewinder Roller Blind
Size	[_____]
Barrel	40 mm
Material	Defiant FR Dart Blackout Fabric incorporating Biosafe Defiant FR Roe High Performance Screen Fabric Defiant FR Thames Dim-out Fabric Defiant FR Medway Fabric Louvolite Fabrics (various) Eclipse Fabrics (Various) Alutrade Fabrics (Various) Decora Fabrics (Various) Global Fabrics (Various)
Accessories	[None] [Bottom bar fully fabric covered] [Extension brackets] [Plastic brackets] [Plastic control chain] [Tear drop aluminium bottom bar - black] [Tear drop aluminium bottom bar - silver] [Wire side-guiding system] [White aluminium back bar] [Powder Coated Fascia] [Powder Coated Cassette]

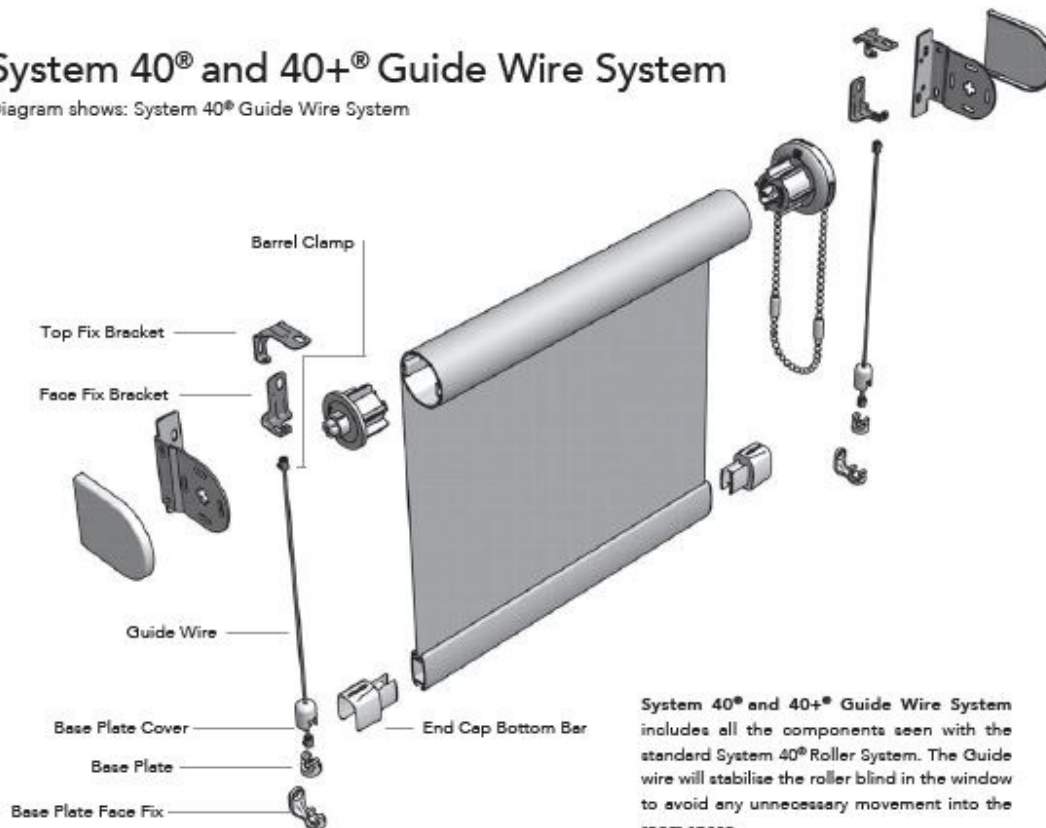
System 40® and 40+® Roller System

Diagram shows: System 40®, Face Fix - Standard Metal Bracket



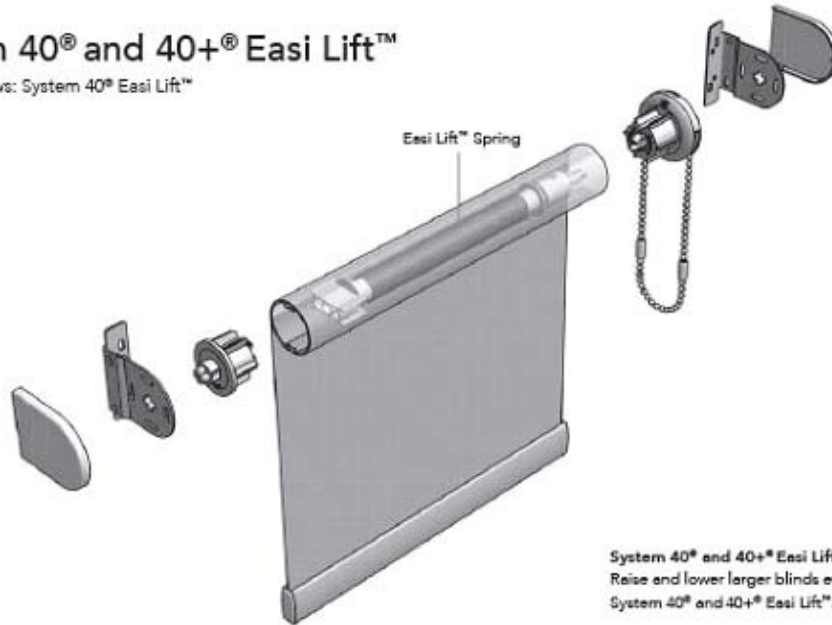
System 40® and 40+® Guide Wire System

Diagram shows: System 40® Guide Wire System



System 40® and 40+® Easi Lift™

Diagram shows: System 40® Easi Lift™



System 40® and 40+® Easi Lift™
Raise and lower larger blinds effortlessly with System 40® and 40+® Easi Lift™.

Additional options

System 40® and 40+® 3 Inch Curved Fascia



System 40® and 40+® 3 Inch Square Fascia



System 40+® 4 inch Curved Fascia



System 40+® 4 inch Square Fascia



Cassette System 40® and System 40+®



Hybrid Cassette (System 40® only)



Back Bar Mounting Plate/Brackets



System Closed Cassette with Side Channel (Blackout Cassette System)



Fascia

With brackets manufactured from heavy gauge stove enamelled steel and fascia from aluminium, these units serve to house the roller shade and operating system. The use of cassette or fascia systems can allow window blinds to integrate more easily into particular glazing installations or to effect the desired aesthetic impact.

Cassette

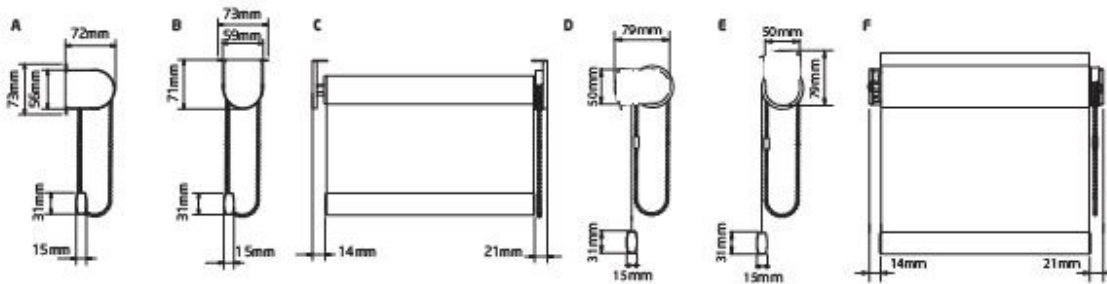
All component parts and fabric are enclosed within a rounded fascia resulting in a compact, robust system with a streamlined appearance. Fast, multiple installations can be achieved using brackets that can be fitted along the whole length of the cassette. The snap fix fascia can be white, grey or black or with a matching fabric profile.

Back Bar Mounting Plate/ brackets

Stove enamelled finish on galvanised steel. The mounting brackets are designed to allow top or face fix installations. The bracket design enables quick and simple installation whilst minimising the light gap between the blind and the recess.

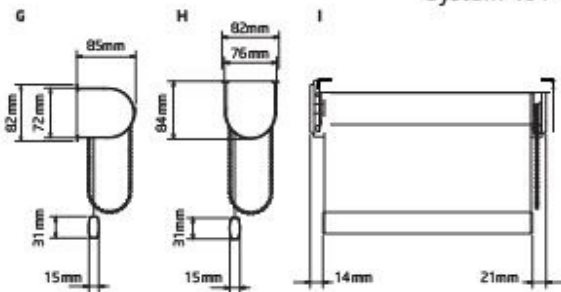
System 40® and 40+® - Bracket Dimensions

System 40®



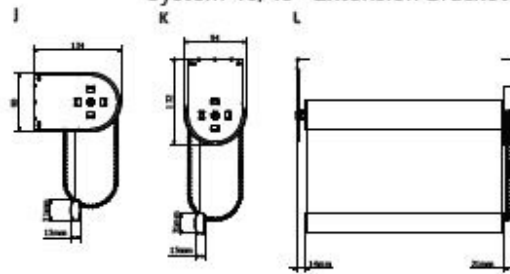
- A. System 40® Standard Metal Bracket Face Fix • B. System 40® Standard Metal Bracket Top Fix • C. System 40® Standard Metal Bracket Top Fix Front View
- D. System 40® Back Bar Face Fix • E. System 40® Back Bar Top Fix • F. System 40® Back Bar Top Fix Front View

System 40+®



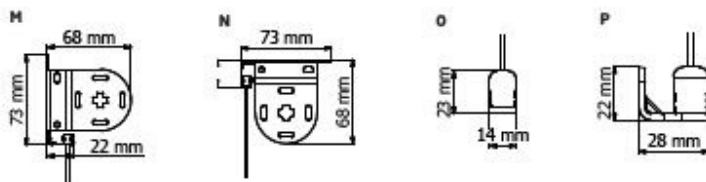
- G. System 40+® Standard Metal Bracket Face Fix
- H. System 40+® Standard Metal Bracket Top Fix
- I. System 40+® Standard Metal Bracket Top Fix Front View

System 40/45® Extension Bracket

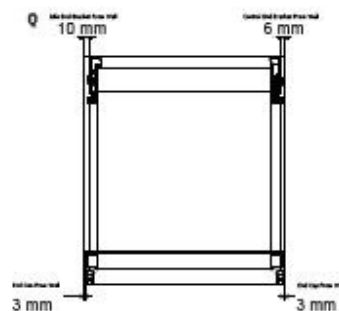


- J. System 40®/45® Extension Bracket Face Fix
- K. System 40®/45® Extension Bracket Top Fix
- L. System 40®/45® Extension Bracket Top Fix Front View

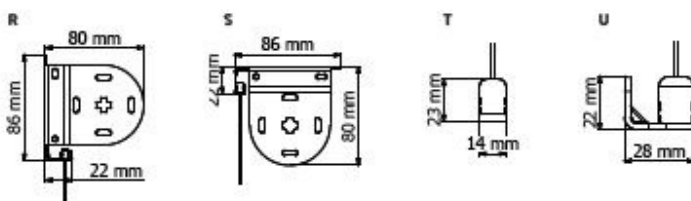
System 40® Guide Wire



- M. System 40® Guide Wire Bracket Face Fix • N. System 40® Guide Wire Bracket Top Fix
- O. System 40® Guide Wire Base Plate • P. System 40® Guide Wire Base Plate - Face Fix
- Q. System 40® Guide Wire Bracket Top Fix Front View



System 40+® Guide Wire



- R. System 40+® Guide Wire Bracket Face Fix • S. System 40+® Guide Wire Bracket Top Fix
- T. System 40+® Guide Wire Base Plate
- U. System 40+® Guide Wire Base Plate - Face Fix
- V. System 40+® Guide Wire Bracket Face Fix Front View

