



n55Plus

System 45 Sidewinder Roller Blind

By Louvolite / Solo Blinds

Detailed description

Louvolite Sidewinder Roller Blind is a fabric roller blind with a 45mm barrel size. The blind comes complete with aluminium barrel, and universal metal brackets for face, top or side fixing.

Product guidance - As Standard

Operation:

Metal
chain.

Options

Variations:

- Plastic Chain
- Crank Operation
- Guide Wires
- Motorised (240v system, 12v System & Battery Operation available (contact for size limitations on low voltage systems))
- Aluminium Teardrop Bottom Bar
- Aluminium Powder Coated Fascia
- Aluminium Powder Cassette
- Powder Coated Side Channels

Blind size:

Maximum blind dimensions are based on fabric weight of 170 g/m².

- Minimum width: 200 mm.
- Maximum width: 3600 mm.
- Maximum drop: 6000 mm.
- Maximum area: 8.0 m².

Material:

Flame retardant fabric from standard range; consult manufacturer for details.

Product specification

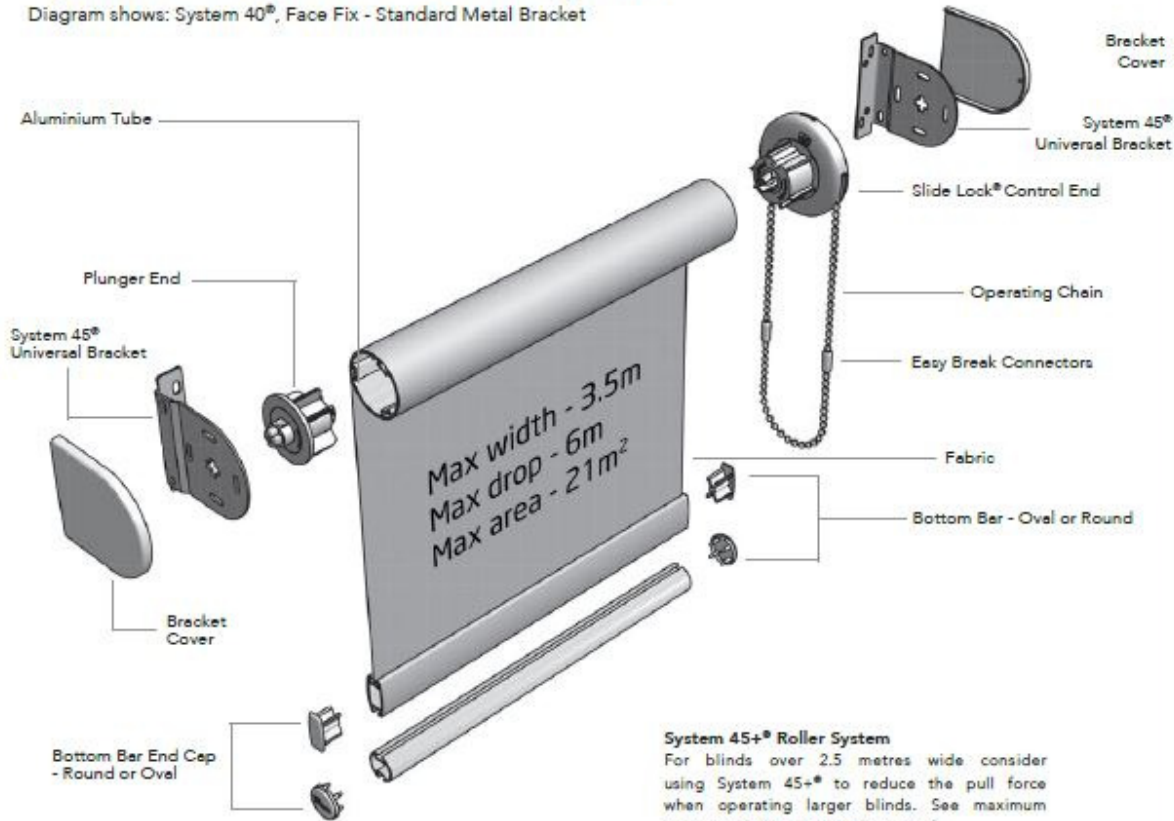
Supplier Details:-

Solo Blinds
Unit 3 Trafalgar Court
South Nelson Ind. Est.
Cramlington
Northumberland
NE23 1WF
01670 733 788
www.soloblinds.co.uk
andy.ward@soloblinds.co.uk

Product reference	System 45 Sidewinder Roller Blind
Size	[_____]
Barrel	45 mm
Material	Defiant FR Dart Blackout Fabric incorporating Biosafe Defiant FR Roe High Performance Screen Fabric Defiant FR Thames Dim-out Fabric Defiant FR Medway Fabric Louvolite Fabrics (various) Eclipse Fabrics (Various) Alutrade Fabrics (Various) Decora Fabrics (Various) Global Fabrics (Various)
Accessories	[None] [Bottom bar fully fabric covered] [Extension brackets] [Plastic brackets] [Plastic control chain] [Tear drop aluminium bottom bar - black] [Tear drop aluminium bottom bar - silver] [Wire side-guiding system] [White aluminium back bar] [Powder Coated Fascia] [Powder Coated Cassette]

System 45® and 45+® Roller System

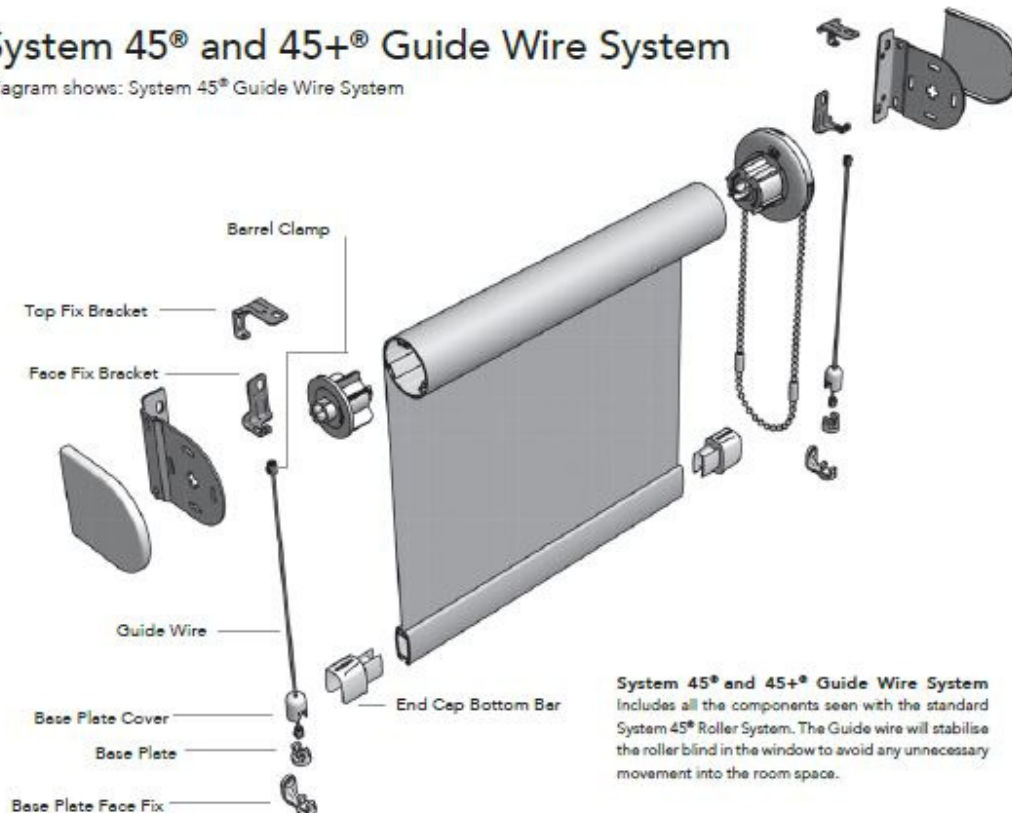
Diagram shows: System 40®, Face Fix - Standard Metal Bracket



System 45+® Roller System
For blinds over 2.5 metres wide consider using System 45+® to reduce the pull force when operating larger blinds. See maximum recommended blind size table overleaf

System 45® and 45+® Guide Wire System

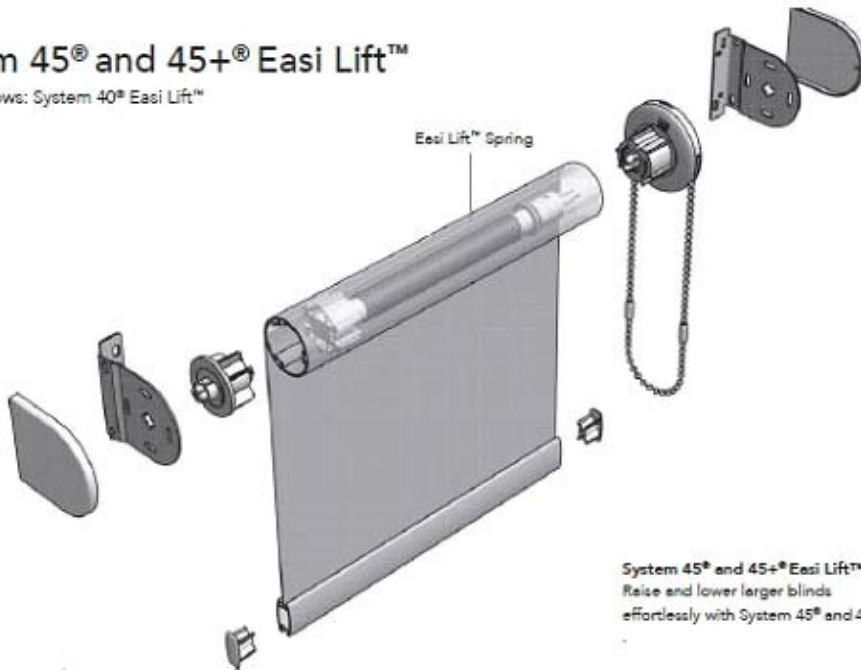
Diagram shows: System 45® Guide Wire System



System 45® and 45+® Guide Wire System
Includes all the components seen with the standard System 45® Roller System. The Guide wire will stabilise the roller blind in the window to avoid any unnecessary movement into the room space.

System 45® and 45+® Easi Lift™

Diagram shows: System 40® Easi Lift™



System 45® and 45+® Easi Lift™
Raise and lower larger blinds
effortlessly with System 45® and 45+® Easi Lift™

Additional options

System 45® and 45+® 3 Inch Curved Fascia



System 45® and 45+® 3 Inch Square Fascia



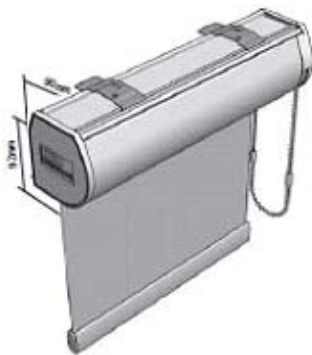
System 45+® 4 Inch Curved Fascia



System 45+® 4 Inch Square Fascia



Cassette System 45® and System 45+®



System Closed Cassette with Side Channel (Blackout Cassette System)



Beck Bar Mounting Plate/Brackets



Fascia

With brackets manufactured from heavy gauge stove enamelled steel and fascia from aluminium, these units serve to house the roller shade and operating system. The use of cassette or fascia systems can allow window blinds to integrate more easily into particular glazing installations or to effect the desired aesthetic impact.

Cassette

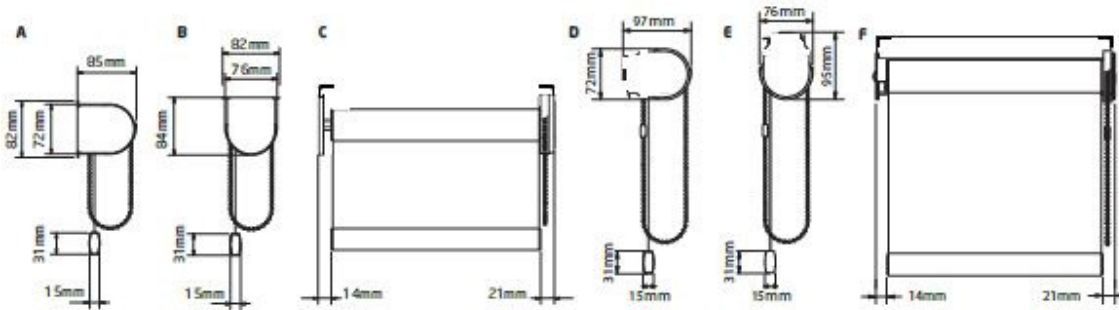
All component parts and fabric are enclosed within a rounded fascia resulting in a compact, robust system with a streamlined appearance. Fast, multiple installations can be achieved using brackets that can be fitted along the whole length of the cassette. The snap fix fascia can be white, grey or black or with a matching fabric profile.

Beck Bar Mounting Plate/ brackets

Stove enamelled finish on galvanised steel. The mounting brackets are designed to allow top or face fix installations. The bracket design enables quick and simple installation whilst minimising the light gap between the blind and the recess.

System 45® and 45+® - Bracket Dimensions

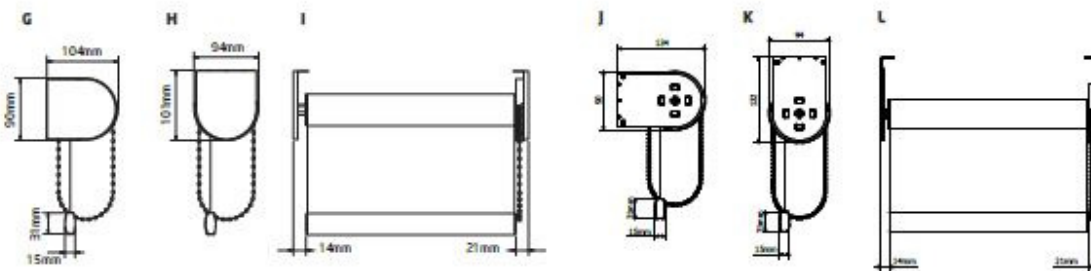
System 45+®



- A. System 45® Standard Metal Bracket Face Fix
- B. System 45® Standard Metal Bracket Top Fix
- C. System 45® Standard Metal Bracket Top Fix Front View
- D. System 45® Standard Metal Bracket Face Fix with Back Bar
- E. System 45® Standard Metal Bracket Top Fix with Back Bar
- F. System 45® Standard Metal Bracket Top Fix with Back Bar, Front View

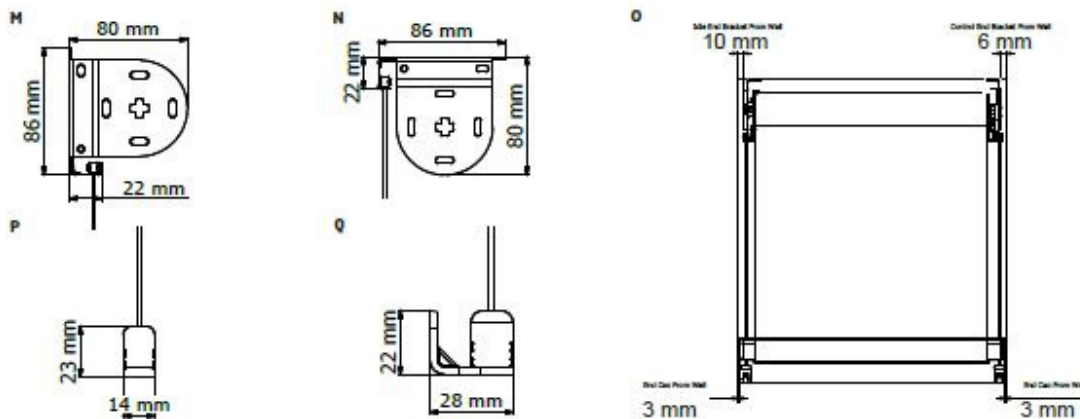
System 45+®

System 40/45® Extension Bracket



- G. System 45+® Standard Metal Bracket Face Fix
- H. System 45+® Standard Metal Bracket Top Fix
- I. System 45+® Standard Metal Bracket Top Fix Front View
- J. System 45® Extension Bracket Face Fix
- K. System 45® Extension Bracket Top Fix
- L. System 45® Extension Bracket Top Fix Front View

System 45® Guide Wire



- M. System 45® Guide Wire Bracket Face Fix
- N. System 45® Guide Wire Bracket Top Fix
- O. System 45® Guide Wire Bracket Top Fix Front View
- P. System 45® Guide Wire Base Plate
- Q. System 45® Guide Wire Base Plate - Face Fix